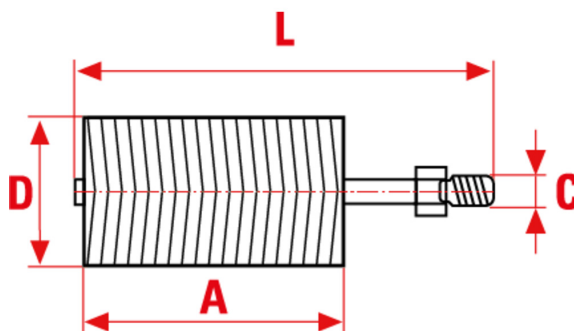




Twisted-in brushes SAM



Steel and stainless steel twisted-in brushes for precision applications. They can be used either manually or with power tools or NC machines.

TYPES OF USE

Removal of drilling residues; deburring of crosswise holes, both threaded and smooth; cleaning of cavities and surfaces that are hard to reach.

MM

A mm	D mm	L mm	Shank mm	Max RPM	CO/IS pack	ART	Stainless Steel 0,12mm	Steel 0,12mm	Steel 0,20mm
25	10	90	3,8	3500	10	SAM 10	2846	2837	2841
25	13	90	3,8	3500	10	SAM 13	2847	2838	2842
25	16	90	3,8	3000	10	SAM 16	2848	2839	2843
25	19	90	3,8	3000	10	SAM 19		2840	2844
25	25	90	3,8	3000	10	SAM 25			2845

INCH

A inch	D inch	L inch	Shank inch	Max RPM	CO/IS pack	ART	Stainless Steel 0,005"	Steel 0,005"	Steel 0,008"
1	3/8	3-1/2	9/64	3500	10	SAM 10	2846	2837	2841
1	1/2	3-1/2	9/64	3500	10	SAM 13	2847	2838	2842
1	5/8	3-1/2	9/64	3000	10	SAM 16	2848	2839	2843
1	3/4	3-1/2	9/64	3000	10	SAM 19		2840	2844
1	1	3-1/2	9/64	3000	10	SAM 25			2845

Le dimensioni, le illustrazioni, le caratteristiche tecniche, le referenze e tutti gli altri dati contenuti nel catalogo possono essere modificati da SIT senza preavviso. Tutte le dimensioni riportate sul catalogo sono da considerarsi nominali e, se non diversamente specificato, sono in mm. Diametri, sporgenze e spessori degli insiemi di filamenti, costituenti le spazzole, sono da considerare tali solo approssimativamente.
The dimensions, illustrations, technical characteristics and all other data contained in the catalogue may be changed by SIT without prior notice. All dimensions on the catalogue, unless otherwise specified, are in mm. Diameters, protrusions and thicknesses of sets of filaments forming the brushes are only approximate.

SIT Società Italiana TecnoSpazzole S.p.A

C.F. e Reg. Imprese 03492470376
Via Porrettana, 453
40033 - Casalecchio di Reno (Bo)
ITALY

Partita I.V.A./VAT IT00626581201
Codice SDI: A4707H7
Import/Export BO 008277
R.E.A. BO 295504

Tel. +39 0516113211
Fax +39 051574319
PEC: sit_tecnospazzole@legalmail.it
info@sitbrush.com

INDUSTRIAL BRUSHES MANUFACTURER WITH
QUALITY MANAGEMENT SYSTEM CERTIFIED
ISO 9001

sitbrush.com    