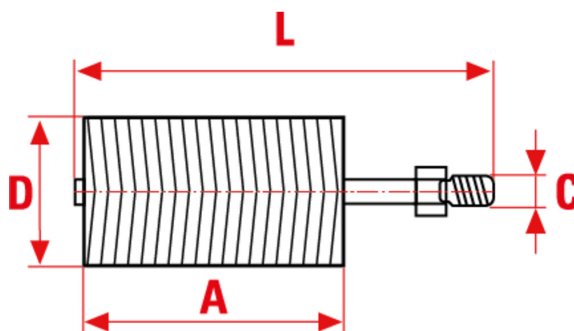




## SC tube brushes



Single spiral tube brushes made of tempered smooth steel with steel wire core or white smooth nylon and brass-coated crimped wire tube brushes, which are less aggressive.

### TYPES OF USE

Internal cleaning of pipes. Nylon tube brushes are suitable to clean stainless steel pipes.

### MM

A	D	L	Thread	CO/IS pack	ART	Brass Coated Steel 0,30mm	Steel	Smooth nylon	Steel 0,25mm	Steel 0,35mm	Steel 0,45mm	Steel 0,50mm	Steel 0,60mm	white smooth nylon
95 100	160		M12	12	SC 100	1966				1916				1991
95 120	160		M12	12	SC 120	1967					1917			1992
95 130	160		M12	12	SC 130	1968						1918		
95 140	160		M12	6	SC 140	1969						1919		
95 150	160		M12	6	SC 150							1940		
95 160	160		M12	6	SC 160							1941		
95 180	160		M12	6	SC 180							1942		
95 200	160		M12	6	SC 200							1943		
95 20	160		M12	12	SC 20	1950			1900					
95 250	160		M12	6	SC 250							1944		
95 25	160		M12	12	SC 25	1951			1901					
95 300	160		M12	6	SC 300							1945		
95 30	160		M12	12	SC 30	1952			1902					1977
95 35	160		M12	12	SC 35	1953			1903					

Le dimensioni, le illustrazioni, le caratteristiche tecniche, le referenze e tutti gli altri dati contenuti nel catalogo possono essere modificati da SIT senza preavviso. Tutte le dimensioni riportate sul catalogo sono da considerarsi nominali e, se non diversamente specificato, sono in mm. Diametri, sporgenze e spessori degli insiemi di filamenti, costituenti le spazzole, sono da considerare tali solo approssimativamente.  
The dimensions, illustrations, technical characteristics and all other data contained in the catalogue may be changed by SIT without prior notice. All dimensions on the catalogue, unless otherwise specified, are in mm. Diameters, protrusions and thicknesses of sets of filaments forming the brushes are only approximate.

SIT Società Italiana TecnoSpazzole S.p.A

C.F. e Reg. Imprese 03492470376  
Via Porrettana, 453  
40033 - Casalecchio di Reno (Bo)  
ITALY

Partita I.V.A./VAT IT00626581201  
Codice SDI: A4707H7  
Import/Export BO 008277  
R.E.A. BO 295504

Tel. +39 0516113211  
Fax +39 051574319  
PEC: sit\_tecnoSpazzole@legalmail.it  
info@sitbrush.com

INDUSTRIAL BRUSHES MANUFACTURER WITH  
QUALITY MANAGEMENT SYSTEM CERTIFIED  
ISO 9001

sitbrush.com    

A mm	D mm	L mm	Thread	CO/IS pack	ART	Brass Coated Steel Ø, 30mm	Smooth nylon	Steel Ø, 25mm	Steel Ø, 35mm	Steel Ø, 45mm	Steel Ø, 50mm	Steel Ø, 60mm	white smooth nylon
95	40	160	M12	12	SC 40	1954							1979
95	45	160	M12	12	SC 45	1955							
95	50	160	M12	12	SC 50	1956	1981						
95	55	160	M12	12	SC 55	1957							
95	60	160	M12	12	SC 60	1958							1983
95	65	160	M12	12	SC 65	1959							
95	70	160	M12	12	SC 70	1960							
95	75	160	M12	12	SC 75	1961							
95	80	160	M12	12	SC 80	1962							1987
95	85	160	M12	12	SC 85	1963							
95	90	160	M12	12	SC 90	1964							

## INCH

A inch	D inch	L inch	Thread	CO/IS pack	ART	Brass Coated Steel Ø, 012"	Smooth nylon	Steel Ø, 010"	Steel Ø, 014"	Steel Ø, 018"	Steel Ø, 020"	Steel Ø, 024"	white smooth nylon
3-3/4	4	6-5/16	M12	12	SC 100	1966							1991
3-3/4	4	3-4/6	5/16	M12	12	SC 120	1967						1992
3-3/4	5	1-8/6	5/16	M12	12	SC 130	1968						
3-3/4	5	1-2/6	5/16	M12	6	SC 140	1969						
3-3/4	5	7/8	6-5/16	M12	6	SC 150							
3-3/4	6	1-4/6	5/16	M12	6	SC 160							
3-3/4	7	1-8/6	5/16	M12	6	SC 180							
3-3/4	8	6-5/16	M12	6	SC 200								1943
3-3/4	3/4	6-5/16	M12	12	SC 20	1950			1900				
3-3/4	10	6-5/16	M12	6	SC 250								1944
3-3/4	1	6-5/16	M12	12	SC 25	1951			1901				
3-3/4	12	6-5/16	M12	6	SC 300								1945
3-3/4	1	1-8/6	5/16	M12	12	SC 30	1952				1902		1977
3-3/4	1	3-8/6	5/16	M12	12	SC 35	1953				1903		
3-3/4	1	5-8/6	5/16	M12	12	SC 40	1954				1904		1979
3-3/4	1	3-4/6	5/16	M12	12	SC 45	1955				1905		
3-3/4	2	6-5/16	M12	12	SC 50	1956	1981				1906		
3-3/4	2	1-8/6	5/16	M12	12	SC 55	1957				1907		
3-3/4	2	3-8/6	5/16	M12	12	SC 60	1958				1908		1983
3-3/4	2	5-8/6	5/16	M12	12	SC 65	1959				1909		
3-3/4	3	3-4/6	5/16	M12	12	SC 70	1960				1910		
3-3/4	3	6-5/16	M12	12	SC 75	1961					1911		
3-3/4	3	1-8/6	5/16	M12	12	SC 80	1962				1912		1987
3-3/4	3	3-8/6	5/16	M12	12	SC 85	1963				1913		
3-3/4	3	1-2/6	5/16	M12	12	SC 90	1964				1914		

Le dimensioni, le illustrazioni, le caratteristiche tecniche, le referenze e tutti gli altri dati contenuti nel catalogo possono essere modificati da SIT senza preavviso. Tutte le dimensioni riportate sul catalogo sono da considerarsi nominali e, se non diversamente specificato, sono in mm. Diametri, sporgenze e spessori degli insiemi di filamenti, costituenti le spazzole, sono da considerare tali solo approssimativamente.  
The dimensions, illustrations, technical characteristics and all other data contained in the catalogue may be changed by SIT without prior notice. All dimensions on the catalogue, unless otherwise specified, are in mm. Diameters, protrusions and thicknesses of sets of filaments forming the brushes are only approximate.

SIT Società Italiana TecnoSpazzole S.p.A

C.F. e Reg. Imprese 03492470376  
Via Porrettana, 453  
40033 - Casalecchio di Reno (Bo)  
ITALY

Partita I.V.A./VAT IT00626581201  
Codice SDI: A4707H7  
Import/Export BO 008277  
R.E.A. BO 295504

Tel. +39 0516113211  
Fax +39 051574319  
PEC: sit\_tecnoSpazzole@legalmail.it  
info@sitbrush.com

INDUSTRIAL BRUSHES MANUFACTURER WITH  
QUALITY MANAGEMENT SYSTEM CERTIFIED  
ISO 9001

sitbrush.com    