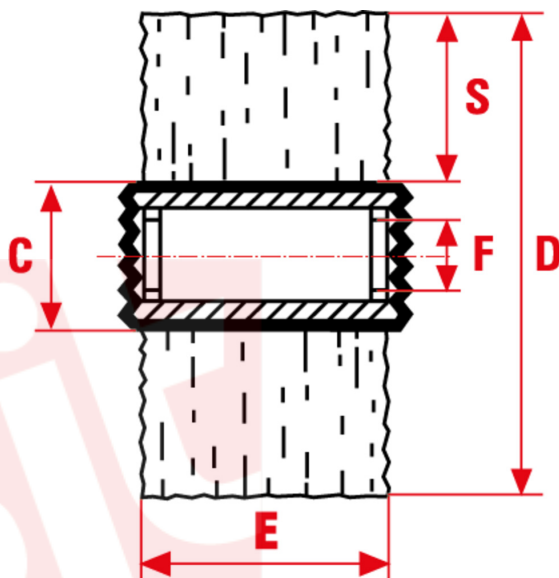




1080



Cylindrical punched-in modular brushes, standard length 100 mm, pitch 15mm, toothed on the sides, suited to form rolls of any length. RDM brushes are self-dragging thanks to the TD locking collars with three locking screws each, located at the ends of the roller.

TYPE OF USE

Light deburring, satin finishing and polishing of any kind of surface. Abrasive nylon single-section wheel brushes are also suited for pickling and aging.

MM	
C mm	60
D mm	100
E mm	100
S mm	20
Hole mm	30
Flap	17
CO/IS pack	1
Art.	RMD 100/30
Filament	White smooth polypropylene
Ø Filament	0,25mm

INCH	
C inch	2-3/8
D inch	4
E inch	4
S inch	3/4
Hole inch	1-1/8
Flap	17
CO/IS pack	1
Art.	RMD 100/30
Filament	White smooth polypropylene
Ø Filament	0,010"

Le dimensioni, le illustrazioni, le caratteristiche tecniche, le referenze e tutti gli altri dati contenuti nel catalogo possono essere modificati da SIT senza preavviso. Tutte le dimensioni riportate sul catalogo sono da considerarsi nominali e, se non diversamente specificato, sono in mm. Diametri, sporgenze e spessori degli insiemi di filamenti, costituenti le spazzole, sono da considerare tali solo approssimativamente.
The dimensions, illustrations, technical characteristics and all other data contained in the catalogue may be changed by SIT without prior notice. All dimensions on the catalogue, unless otherwise specified, are in mm. Diameters, protrusions and thicknesses of sets of filaments forming the brushes are only approximate.

SIT Società Italiana TecnoSpazzole S.p.A

C.F. e Reg. Imprese 03492470376
Via Porrettana, 453
40033 - Casalecchio di Reno (Bo)
ITALY

Partita I.V.A./VAT IT00626581201
Codice SDI: A4707H7
Import/Export BO 008277
R.E.A. BO 295504

Tel. +39 0516113211
Fax +39 051574319
PEC: sit_tecnospazzole@legalmail.it
info@sitbrush.com

INDUSTRIAL BRUSHES MANUFACTURER
WITH QUALITY MANAGEMENT SYSTEM
CERTIFIED ISO 9001

sitbrush.com