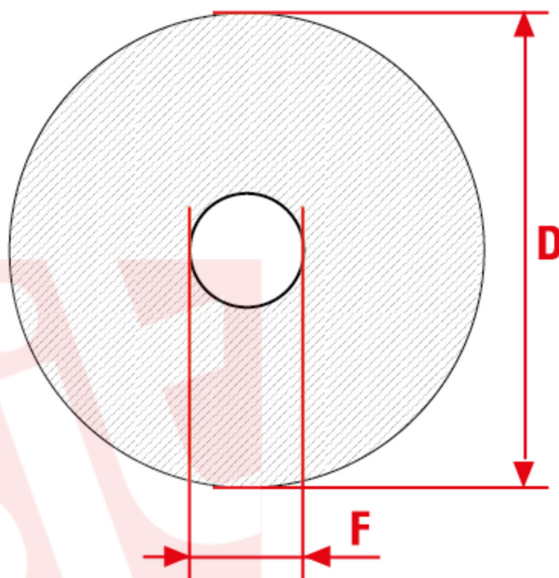
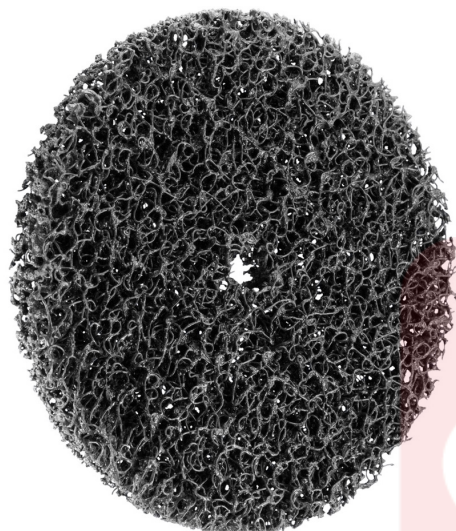


0443



Very resistant Nylon fibre discs with embedded coarse-grained silicon carbide abrasive. The fibrous structure allows for aggressive removal of coatings without damaging underlying materials. They may be fitted on grinder and mini-grinder (DN version) or drill (RN version) with special shank.

TYPE OF USE

Scouring, cleaning welds and removing rust and millscale. Ideal on stainless steel surfaces, surfaces to be grouted, rubber, plastics and much more.

MM		INCH	
D mm	150	D inch	5-7/8
Hole mm	12	Hole inch	1/2
Max RPM	5350	Max RPM	5350
CO/IS pack	10 /40	CO/IS pack	10 /40
Art.	RN150	Art.	RN150

Le dimensioni, le illustrazioni, le caratteristiche tecniche, le referenze e tutti gli altri dati contenuti nel catalogo possono essere modificati da SIT senza preavviso. Tutte le dimensioni riportate sul catalogo sono da considerarsi nominali e, se non diversamente specificato, sono in mm. Diametri, sporgenze e spessori degli insiemi di filamenti, costituenti le spazzole, sono da considerare tali solo approssimativamente.
The dimensions, illustrations, technical characteristics and all other data contained in the catalogue may be changed by SIT without prior notice. All dimensions on the catalogue, unless otherwise specified, are in mm. Diameters, protrusions and thicknesses of sets of filaments forming the brushes are only approximate.

SIT Società Italiana TecnoSpazzole S.p.A

C.F. e Reg. Imprese 03492470376
Via Porrettana, 453
40033 - Casalecchio di Reno (Bo)
ITALY

Partita I.V.A./VAT IT00626581201
Codice SDI: A4707H7
Import/Export BO 008277
R.E.A. BO 295504

Tel. +39 0516113211
Fax +39 051574319
PEC: sit_tecnospazzole@legalmail.it
info@sitbrush.com

**INDUSTRIAL BRUSHES MANUFACTURER
WITH QUALITY MANAGEMENT SYSTEM
CERTIFIED ISO 9001**
sitbrush.com