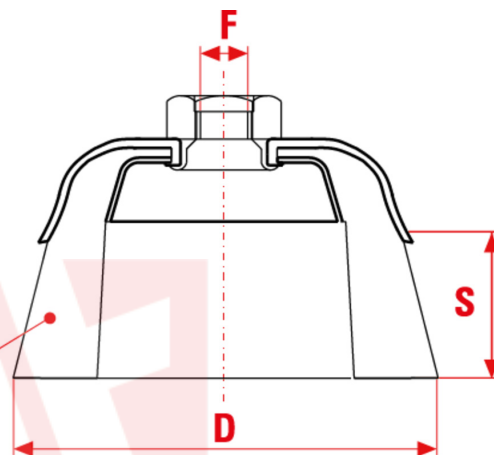




Cup brushes series TU and TZ XLK



**Z = n° mazzetti / number of knots
n° de mèches torsadées**

X-LOCK is a new 2-piece changing system to switch angle grinder accessories with just one click. Allows to lock and unlock the brushes, from the compatible angle grinders, up to 5 times faster than the classical system in total safe conditions. A world's first by Bosch Professional. Series TU XLK Cup brushes with bridle.

TYPES OF USE

Remove slags, rust, paint and hard incrustations from any kind of surface.

MM

D mm	S mm	Z n°	Hole mm	Max RPM	CO/IS pack	ART	Stainless Steel 0,50mm	Steel 0,50mm
70	17	18	X-LOCK	12500	1 /18	TU71 XLK	6015	6014
75	20	18	X-LOCK	12500	1 /18	TZ70 XLK	6001	6000

INCH

D inch	S inch	Z n°	Hole inch	Max RPM	CO/IS pack	ART	Stainless Steel 0,020"	Steel 0,020"
3-3/4	5/8	5/8	X-LOCK	12500	1 /18	TU71 XLK	6015	6014
3	3/4	3/4	X-LOCK	12500	1 /18	TZ70 XLK	6001	6000

Le dimensioni, le illustrazioni, le caratteristiche tecniche, le referenze e tutti gli altri dati contenuti nel catalogo possono essere modificati da SIT senza preavviso. Tutte le dimensioni riportate sul catalogo sono da considerarsi nominali e, se non diversamente specificato, sono in mm. Diametri, sporgenze e spessori degli insiemi di filamenti, costituenti le spazzole, sono da considerare tali solo approssimativamente.
The dimensions, illustrations, technical characteristics and all other data contained in the catalogue may be changed by SIT without prior notice. All dimensions on the catalogue, unless otherwise specified, are in mm. Diameters, protrusions and thicknesses of sets of filaments forming the brushes are only approximate.

SIT Società Italiana TecnoSpazzole S.p.A

C.F. e Reg. Imprese 03492470376
Via Porrettana, 453
40033 - Casalecchio di Reno (Bo)
ITALY

Partita I.V.A./VAT IT00626581201
Codice SDI: A4707H7
Import/Export BO 008277
R.E.A. BO 295504

Tel. +39 0516113211
Fax +39 051574319
PEC: sit_tecnoSpazzole@legalmail.it
info@sitbrush.com

INDUSTRIAL BRUSHES MANUFACTURER
WITH QUALITY MANAGEMENT SYSTEM
CERTIFIED ISO 9001

sitbrush.com