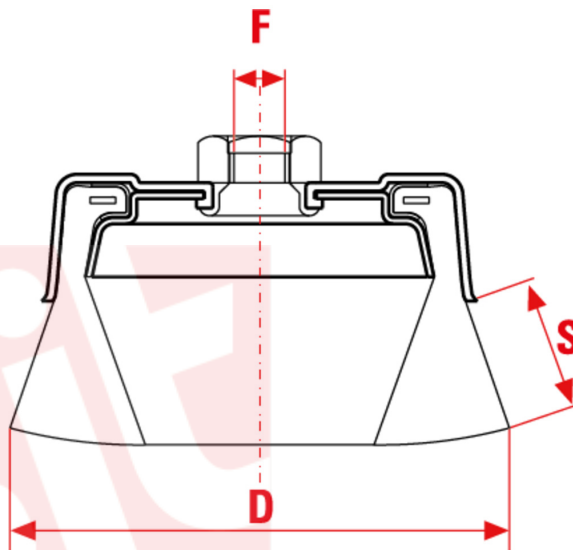




6002



“X-LOCK is a new 2-piece changing system to switch angle grinder accessories with just one click. Allows to lock and unlock the brushes, from the compatible angle grinders, up to 5 times faster than the classical system in total safe conditions. A world’s first by Bosch Professional.

TYPE OF USE

Light deburring, satin finishing, removal of small slags and rust, deburring of pipe edges.

MM		INCH	
D mm	80	D inch	3-1/8
S mm	25	S inch	1
Hole mm	X-LOCK	Hole inch	X-LOCK
Max RPM	12500	Max RPM	12500
CO/IS pach	1 /18	CO/IS pack	1 /18
Art.	T80 XLK	Art.	T80 XLK
Filament	Steel	Filament	Steel
Ø Filament	0,35mm	Ø Filament	0,014"

Le dimensioni, le illustrazioni, le caratteristiche tecniche, le referenze e tutti gli altri dati contenuti nel catalogo possono essere modificati da SIT senza preavviso. Tutte le dimensioni riportate sul catalogo sono da considerarsi nominali e, se non diversamente specificato, sono in mm. Diametri, sporgenze e spessori degli insiemi di filamenti, costituenti le spazzole, sono da considerare tali solo approssimativamente.
The dimensions, illustrations, technical characteristics and all other data contained in the catalogue may be changed by SIT without prior notice. All dimensions on the catalogue, unless otherwise specified, are in mm. Diameters, protrusions and thicknesses of sets of filaments forming the brushes are only approximate.

SIT Società Italiana TecnoSpazzole S.p.A

C.F. e Reg. Imprese 03492470376
Via Porrettana, 453
40033 - Casalecchio di Reno (Bo)
ITALY

Partita I.V.A./VAT IT00626581201
Codice SDI: A4707H7
Import/Export BO 008277
R.E.A. BO 295504

Tel. +39 0516113211
Fax +39 051574319
PEC: sit_tecnospazzole@legalmail.it
info@sitbrush.com

**INDUSTRIAL BRUSHES MANUFACTURER
WITH QUALITY MANAGEMENT SYSTEM
CERTIFIED ISO 9001**
sitbrush.com